

PWDS

MULTI PORT SEALED, FLUSHMOUNT HOUSING

Fig. 1

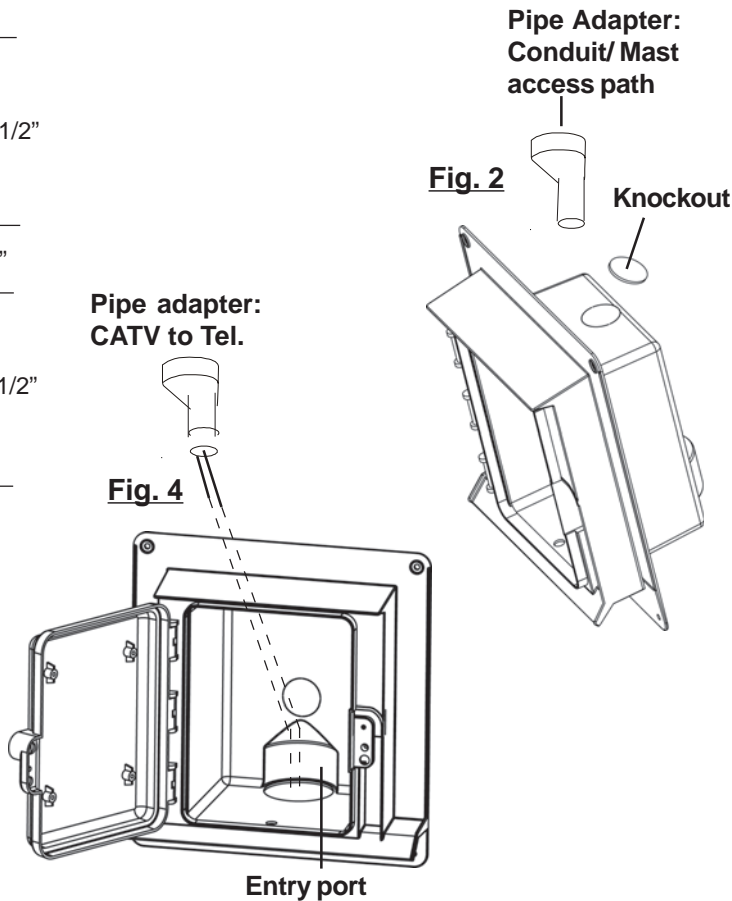
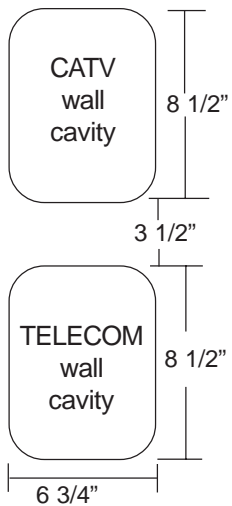
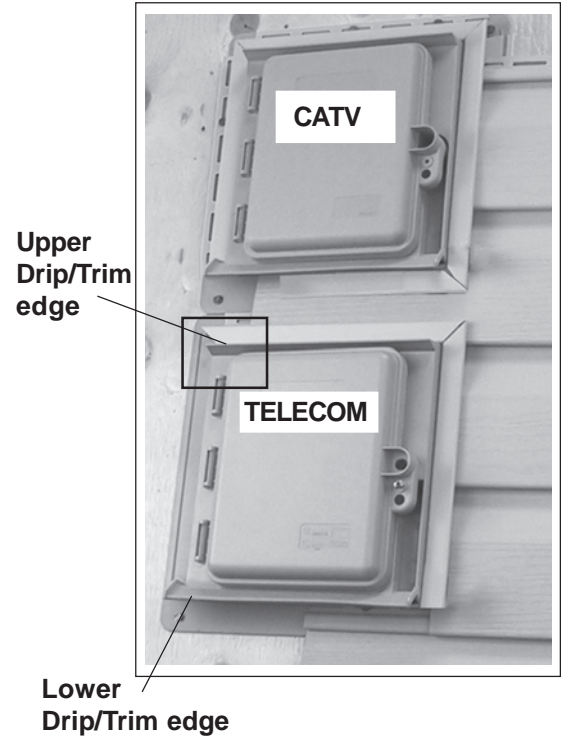


Fig. 3



INSTRUCTIONS: CATV/ TEL. Combo.

1. Cut PWDS installation cavities to a min. of 6 3/4" x 8 1/2". Include a 3 1/2" gap between the two holes. **Fig.1**
2. Remove knockout from the top of Telecom housing to allow access path for CATV pipe adapter. **Fig.2**
3. Insert CATV housing (PWDSF) into upper wall cavity. Insert Telecom housing (PWD6S) into lower wall cavity directly below the CATV housing. **Fig.3**
4. Use PWDS flange mounting holes to secure the housings to the structural framework. **Fig.3**
5. Place pipe adapter through base entry port of CATV housing, **Fig.4** and into the upper knockout of Telecom housing. **Fig.2**
6. Ensure that the exterior facade (siding, stucco, etc.) overlaps the housing's flanges on all four sides and butts against all four drip/trim edges. **Fig.3**

For Aerial applications: Remove knockout from top of CATV housing. Insert pipe adapter. **Fig.2**

For underground application: Feed conduit up through base entry port of PWD6S telecom housing.

***Optional Trimplate:** *After facade installation.*

Place trim plate over housing and push into place.

Screws can be installed into pre- drilled mounting holes.

*For additional information contact Primex Manufacturing Ltd.

PRIMEX
MANUFACTURING LTD.
WWW.PRIMEX.CA

CANADA
Ph: (604) 881-7875
Fax: (604) 881-7835

TOLL FREE
Ph: 1-877-881-7875
Fax: 1-877-881-7835

USA
Ph: (360) 332-3100
Fax: (360) 332-3200

PWDS

MULTI PORT SEALED, FLUSHMOUNT HOUSING

Fig. 1

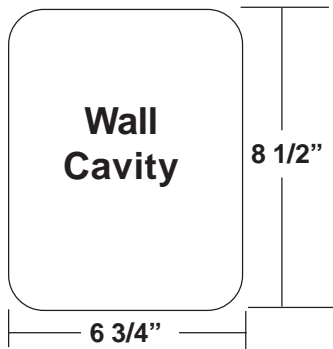
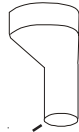


Fig. 2

Pipe adapter:
Conduit access



Knockout:
Pipe adapter access

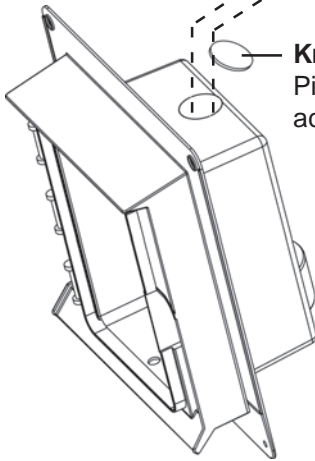
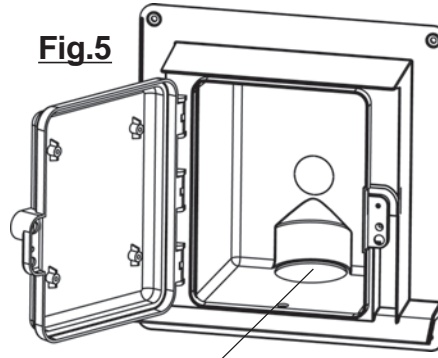


Fig. 5



ENTRY PORT:
pipe adapter access

Fig. 4

UPPER
Drip/Trim edge

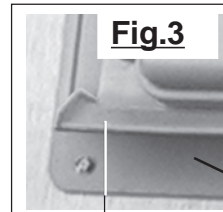
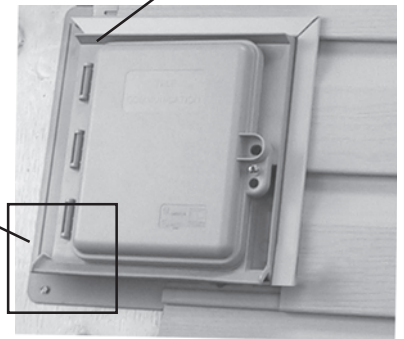


Fig. 3

LOWER
Drip/Trim edge



INSTRUCTIONS: Separate Aerial

1. Cut PWDS installation cavity to a minimum of W: 6 3/4" x H: 8 1/2". **Fig.1**
2. Insert PWDS housing into wall cavity and push to rear.
3. Use existing PWDS flange mounting holes to secure the housing to the structural framework. **Fig. 3**
4. Remove knockout from the top of PWDS housing. **Fig.2**
5. Place Pipe adapter through the upper knockout cavity of Telecom or CATV housing. **Fig.2**
6. Insert mast or conduit into pipe adapter.
7. Ensure that the exterior facade (siding, stucco, etc.) overlaps the PWDS housing flange, on all four sides and butts against all four drip/trim edges. **Fig.4**

INSTRUCTIONS: Separate Underground

1. Cut PWDS installation cavity to a minimum of W: 6 3/4" x H: 8 1/2". **Fig.1**
 2. Insert PWDS housing into wall cavity and push to rear.
 3. Place conduit up through PWDS entry port. **Fig.5**
 4. Use mounting holes to secure the housing. **Fig. 3**
 5. Ensure that the exterior facade (siding, stucco, etc.), overlaps the PWDS housing flange on all four sides and butts against all four drip/trim edges. **Fig.4**
- *Optional Trimplate: After facade installation.**
Place trim plate over housing and push into place.
Screws can be installed into pre- drilled mounting holes.

* For additional information contact Primex Manufacturing Ltd.

PRIMEX
MANUFACTURING LTD.
WWW.PRIMEX.CA

CANADA
Ph: (604) 881-7875
Fax: (604) 881-7835

TOLL FREE
Ph: 1-877-881-7875
Fax: 1-877-881-7835

USA
Ph: (360) 332-3100
Fax: (360) 332-3200