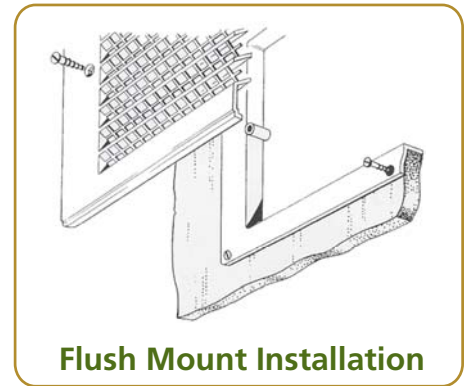
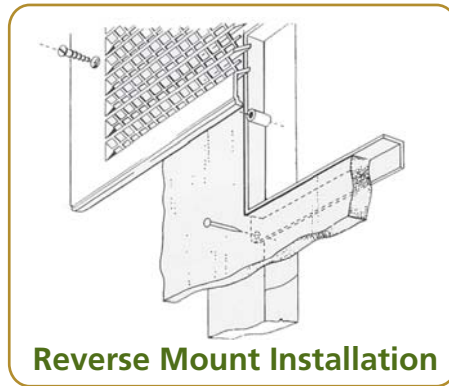


SV6

Soffit Vent



Features

Molded mesh screen • 2 installation screws included • May be purchased **without** the access frame to save money and simplify installation • Made from UV stabilized polymer resin • Easy installation • Will not rust or dent

Part #	Size	Description	Packaging
SV6x9S	6.0" x 9.0"	Rectangular soffit vent - screen vent	22/box
SV6x9FS	6.0" x 9.0"	Vent kit: screen and access frame	22/box