

## WEEP HOLE COVER

FIG.1 – WINDOW FRAME WEEP HOLE



Window frame weep holes, Fig. 1 are designed to effectively eliminate the accumulation of moisture inside the window frame. Rain water running down the building wall can seep into the window frame through the weep holes due to negative air pressure, causing excessive, free standing water inside the frame. This moisture accumulation can cause significant structural and/or cosmetic damages to the window and building framing. Primex's WHC covering a weep hole will prevent water ingress into the structure even during the most extreme rain conditions.

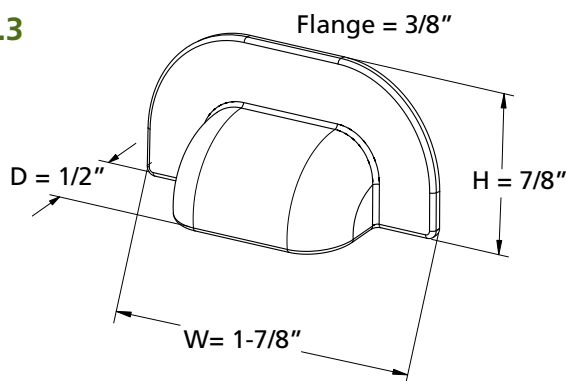
FIG.2



### INSTALLATION:

- Prepare the surface of the window frame according the instructions of adhesive manufacturer.
- Apply a bead of adhesive to the back side flange along the groove, making sure that the groove is completely filled.
- Press the WHC onto the window frame over the weep hole and secure for recommended time until the adhesive sufficiently cures.
- Small amount of adhesive should be seen along the full edge of the cover.
- Make sure the WHC flange is not covering the weep hole!

FIG.3



### MATERIAL:

- Polymer is rust and dent proof
- UV stabilized polymer suitable for long term outdoor use
- UL94 HB certified

### RECOMMENDED ADHESIVES:

- Spectrum 2
- Dow-Corning 795